



tile & stone
Installation Systems

ARDEX Products Assembly

1. Grout Options:

- A. ARDEX FL™ Rapid Set, Flexible Sanded Grout
- B. ARDEX FG-C™ MICROTEC® Unsanded Grout
- C. ARDEX WA™ Epoxy Grout and Adhesive

2. Latex-Portland Cement Options:

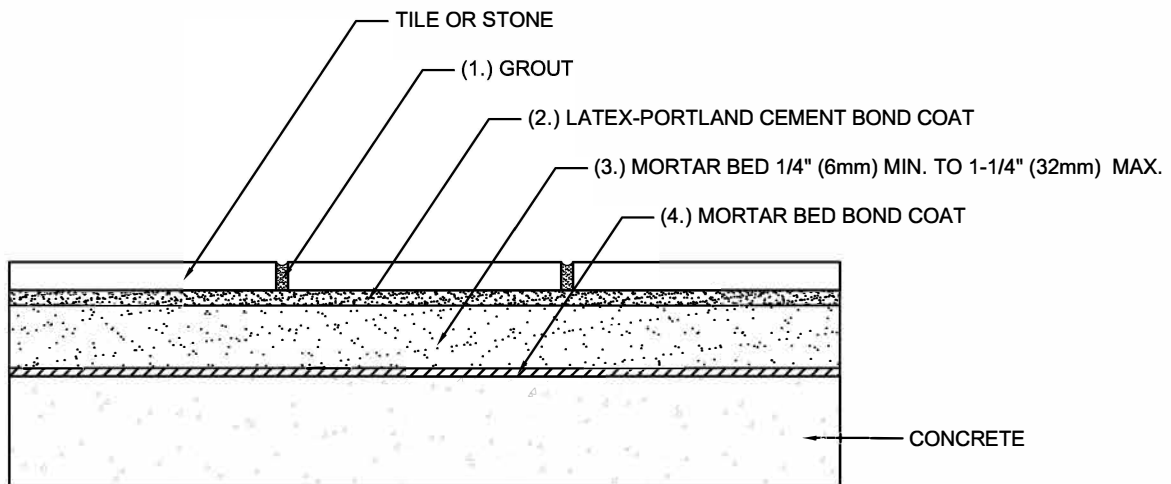
- A. ARDEX X 77™ MICROTEC® Fiber Reinforced Thin Set Mortar
- B. ARDEX X 32™ MICROTEC® Fiber Reinforced Rapid Setting Thin-to-Thick Bed Mortar
- C. ARDEX X 5™ Flexible Thin Set Mortar
- D. ARDEX N 23™ MICROTEC® Fiber Reinforced Rapid Setting Natural Stone and Tile Mortar

3. Mortar Bed Options:

- A. ARDEX AM 100™ Rapid Set Pre-Tile Smoothing and Ramping Mortar
- B. ARDEX A38 Mix

4. Mortar Bed Bond Coat Options:

- A. ARDEX A38 Mix with ARDEX E100



Scale: N.T.S.

Drawings are developed to be compatible with Tile Council of North America 2013 TCNA Handbook for Ceramic, Glass and Stone Tile Installation.

ARDEX products are listed as options and are substituted for TCA's and TTMAC's listed ANSI and ISO 13007 standards. Please refer to the Tile Council of North America 2013 TCNA Handbook for Ceramic, Glass and Stone Tile Installation for complete instructions and application limitations.

Some installation methods and component materials are not referenced. ARDEX Americas encourages the user to consult all approved resources to ensure a complete assembly.

ARDEX Americas
400 Ardex Park Drive
Aliquippa, PA 15001

Technical Services:
1-800-512-7339
www.ardexamericas.com

SystemOne™

Floors, Interior

Concrete Subfloor, Mortar Bed, Bonded

AF112
TCNA: F112
TTMAC: 310F-A