



**tile & stone**  
Installation Systems

## ARDEX Products Assembly

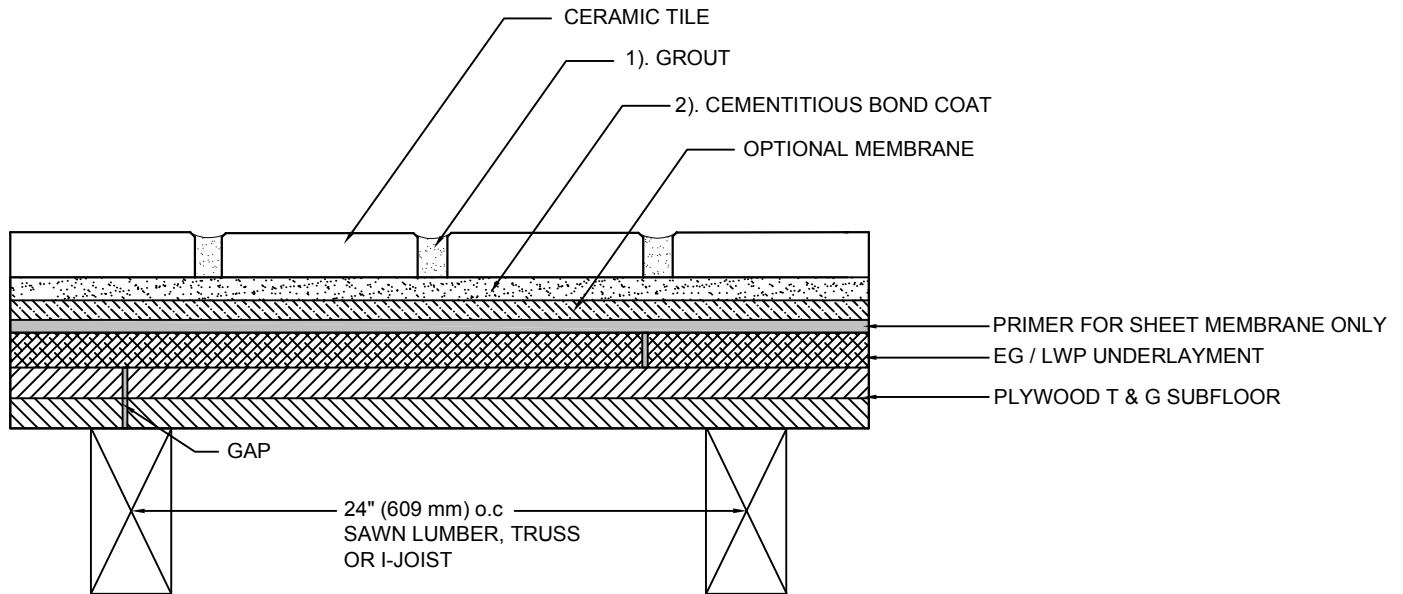
### 1. Grout Options:

A. ARDEX WA™ Epoxy Grout and Adhesive

### 2. Latex-Portland Cement Options:

A. ARDEX X 77™ MICROTEC® Fiber Reinforced Thin Set Mortar

B. ARDEX X 32™ MICROTEC® Fiber Reinforced Rapid Setting Thin-to-Thick Bed Mortar



Scale: N.T.S.

Drawings are developed to be compatible with Tile Council of North America 2013 TCNA Handbook for Ceramic, Glass and Stone Tile Installation.

ARDEX products are listed as options and are substituted for TCA's and TTMAC's listed ANSI and ISO 13007 standards. Please refer to the Tile Council of North America 2013 TCNA Handbook for Ceramic, Glass and Stone Tile Installation for complete instructions and application limitations.

Some installation methods and component materials are not referenced. ARDEX Americas encourages the user to consult all approved resources to ensure a complete assembly.

ARDEX Americas  
400 Ardex Park Drive  
Aliquippa, PA 15001

Technical Services:  
1-800-512-7339  
www.ardexamericas.com



### Floors, Interior

Wood Subfloor, EG/LWP  
(Exterior-Glue Laminated Wood Panel Underlayment)  
EGP Latex-Portland Cement Mortar

### AF160

TCNA: F160  
TTMAC: NA